

Safety Information



READ AND FOLLOW THESE SAFETY INSTRUCTIONS!

For complete safety information, see the *Product Information Bulletin*.



Waste Electrical and Electronic Equipment (WEEE) Directive: (European Union) At end of useful life, this product should be deposited at an appropriate waste disposal facility for recycling and disposal. Do not dispose of with household waste.



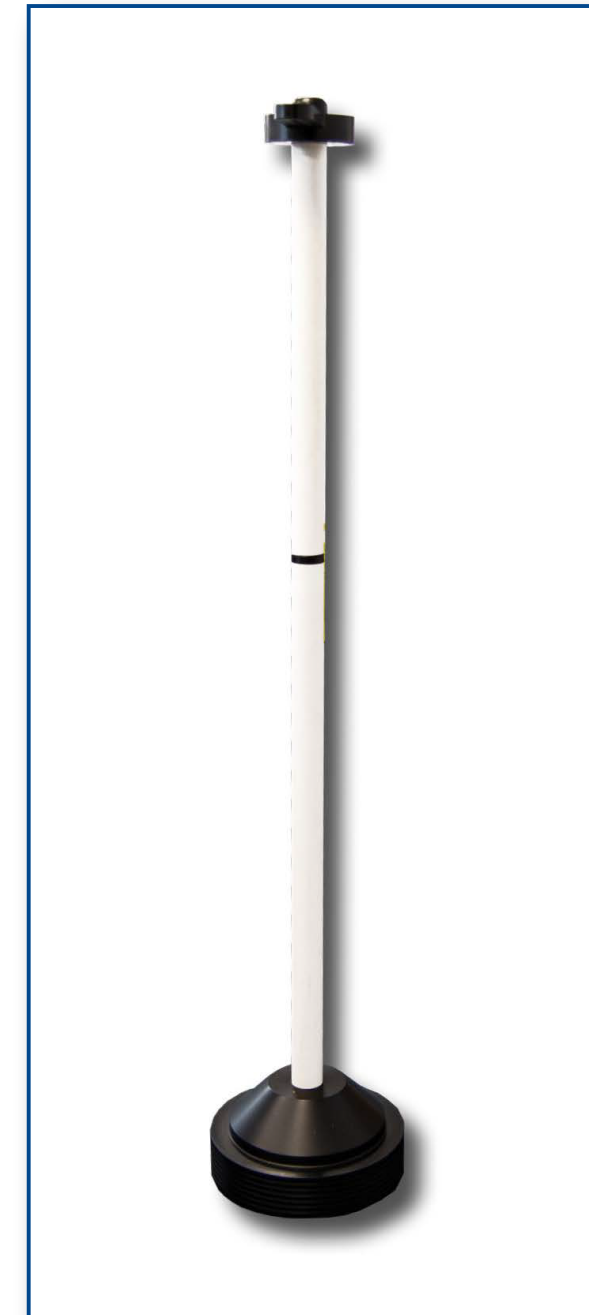
CONTACT ETS-LINDGREN PRIOR TO SERVICING. Servicing (or modifying) the unit by yourself may void your warranty.

For additional safety information, see the *Product Information Bulletin* included with your shipment.

Product Information Bulletin

See the ETS-Lindgren *Product Information Bulletin* included with your shipment for the following:

- Safety, regulatory, and other product marking information
- Steps to receive your shipment
- Steps to return a component for service
- ETS-Lindgren calibration service
- ETS-Lindgren contact information



Note: ETS-Lindgren may substitute a similar part with the same functionality for another part.

 Before connecting any components, see **Safety Information** on the back page of this document.



Probe Stand Parts

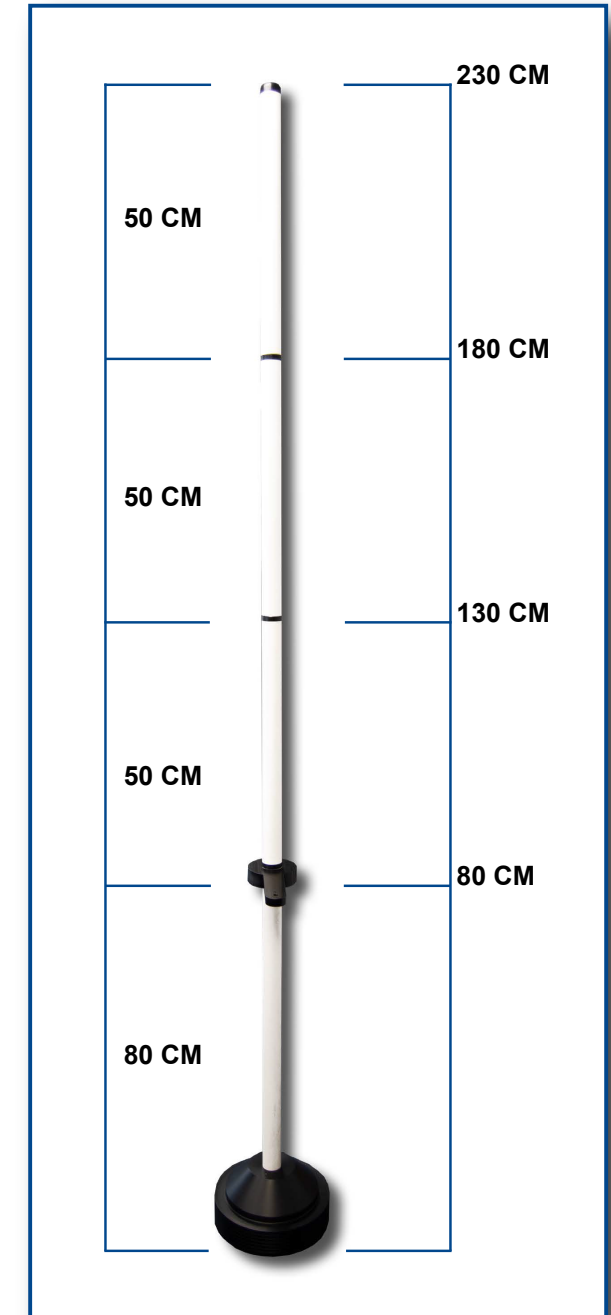
- | | |
|-----------------------------|--------------------|
| 1 Stand base (1) | 4 Top tube lid (1) |
| 2 Probe carrier (1)* | 5 80 cm tube (1) |
| 3 Tube connector pieces (3) | 6 50 cm tube (3) |


Assembly

- 1 Place/slide the longest 80 cm into the base of the stand.
- 2 Use the connector pieces to connect the remaining three tubes of 50 cm and end with the lid.
- 3 Place the probe carrier over the tubes and tighten it with the screw at the back.



The probe carrier can either be moved over the completed tube to match the desired height, or can be attached at the last top tube and when height adjustment is needed, the separate tubes can be added. This way, the adjustment of the probe carrier is only changed once.



 **Note:** Additional probe carriers (ETS-Lindgren PN 1762237) are sold separately. Contact ETS-Lindgren to purchase.